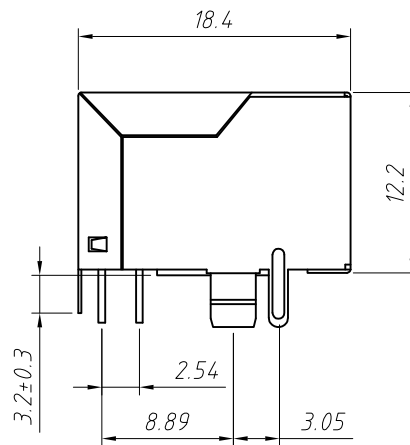


PCB Layout

Material:
Housing: PBT+Glass Filled Polyester
Flammability Rating: UL94V-0
Contacts: Phosphor Bronze $\phi 0.46\text{mm}$
Plating: Gold Plating
Shield: Brass, Tin Plating

Electrical:
Voltage Rating: 125VAC
Current Rating: 1.5A
Contact Resistance: $30\text{m}\Omega$ Max.
Insulation Resistance: $500\text{M}\Omega$ Min.
Dielectric Strength: 1000VAC Rms 50Hz, 1 Min.
Durability: 600 cycles Min.
Operation Temperature: $-40^{\circ}\text{C} \sim +70^{\circ}\text{C}$



Order Information

L-KLS12-316-10P10C - 1x4-F-1-XX

RoHS _____
Contacts: 10P10C _____
 8P8C _____
Shield Code: _____
 F- with Shield _____
Shield Peg Code: _____
 1- Front 3.05mm _____
Plating Code: _____

01-Fu" Gold Plating
 02-3u" Gold Plating
 03-6u" Gold Plating
 04-15u" Gold Plating
 05-30u" Gold Plating

GENERAL TOLERANCE	PROJECTION		Description:
X. ± 0.30	UNITS	mm	Modular jacks
.X ± 0.25	SCALE	1:1	RJ50-xPxC 1x4 with Shield
.XX ± 0.20	Draw by:	Jenny	KLS P/N: L-KLS12-316-xPxC-1x4-F-1-xx
ANGLE TOLERANCE	Check by:	Daniel	NingBo KLS ELECTRONIC CO.,LTD.
X. $\pm 3^{\circ}$	Date	2018-03-01	
.X $\pm 2^{\circ}$	SHEET	1 OF 1	
.XX $\pm 1^{\circ}$			